

CraftCan Duo45 Canning Line

ABE
EQUIPMENT

The CraftCan Duo45 features ABE Equipment's proprietary 8-valve design. The CraftCan Duo45 is easily upgradeable to a CraftCan Duo90, giving you the flexibility to grow with your business. This game-changing canning system is built with our patented Servo Seamer and on-demand seam analysis for precision filling that is second to none.

Speed and Precision

- Upgradeable to CraftCan Duo90
- Built-in CO₂ ports on one-piece stainless steel fill heads
- Rotary-can-indexing with on-screen micro adjustments for precise can seam positioning
- Proprietary recipe recall feature reduces setup time
- Average DO pickup 15-25 PPB
- Nitrogen compatible

Servo Seamer Technology

- Patented Torque Monitor instantly inspects and assesses seam accuracy on every can
- System diagnostics available for remote troubleshooting

Post Rinse & Dryer Included

- Ensures cans are clean & dry for packaging or labeling

Optional Casters

Fills up to 45 Cans Per Minute

ABE
EQUIPMENT

2001 SW 6th Street | Lincoln, NE 68522 | (402) 475-2337 | ABEEquipment.com

CraftCan Duo45 Canning Line

General Specifications

- Up to 45 CPM (based on 12 oz can)
- System dimensions: L: 117" (297 cm), W: 44" (112 cm), H: 83" (211 cm)
- Electrical requirements: 208 V, 60 Hz, 1 phase, 2 wire, 25 A, 20 A (connected load), 4.2 kVA, 3.5 kW average (other electrical options available)
- Air requirements: 1/4" MQC, clean dry/oil-free, 5.75 scfm, 90 psi
- Water Requirements: 3/4" FNPT, filtered city water, 3.0 gpm, 60 psi
- Specifications may vary based on size and customization

Your Complete Package

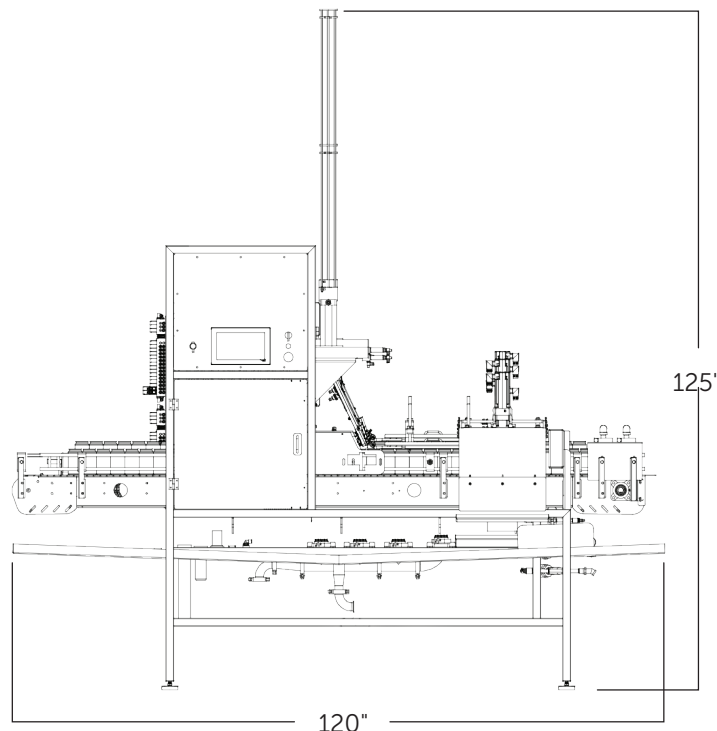
Each CraftCan Duo45 Canning Line that leaves our facility carries UL certification and an industry-leading five year limited warranty on the metal and welds. In addition to a comprehensive spare parts inventory, you'll receive superior customer support from our team in Lincoln, Nebraska with any ABE purchase.

Compatible Cans/Lids

- Standard US sizes: 12 oz, 16 oz, 19.2 oz (24 oz options available)
- International sizes: 330 ml, 355 ml, 375 ml, 440 ml, 500 ml, 568 ml
- Slim/Sleek: 250 ml slim, 8 oz sleek, 12 oz sleek
- Lids: CDL-E, CDL-W, CDL+, SuperEnd, SuperEndDA+, B64, ISE
- Other sizes available upon request

Compatible Products

- YellowJacket Depalletizer
- Twist Rinse or Z-Rinse
- LabelMax Labeling Systems
- AutoPak Can Carrier
- And More!



ABE Equipment reserves the right to change specification without notice. All specifications are approximate (+10). ©2022 ABE Equipment